

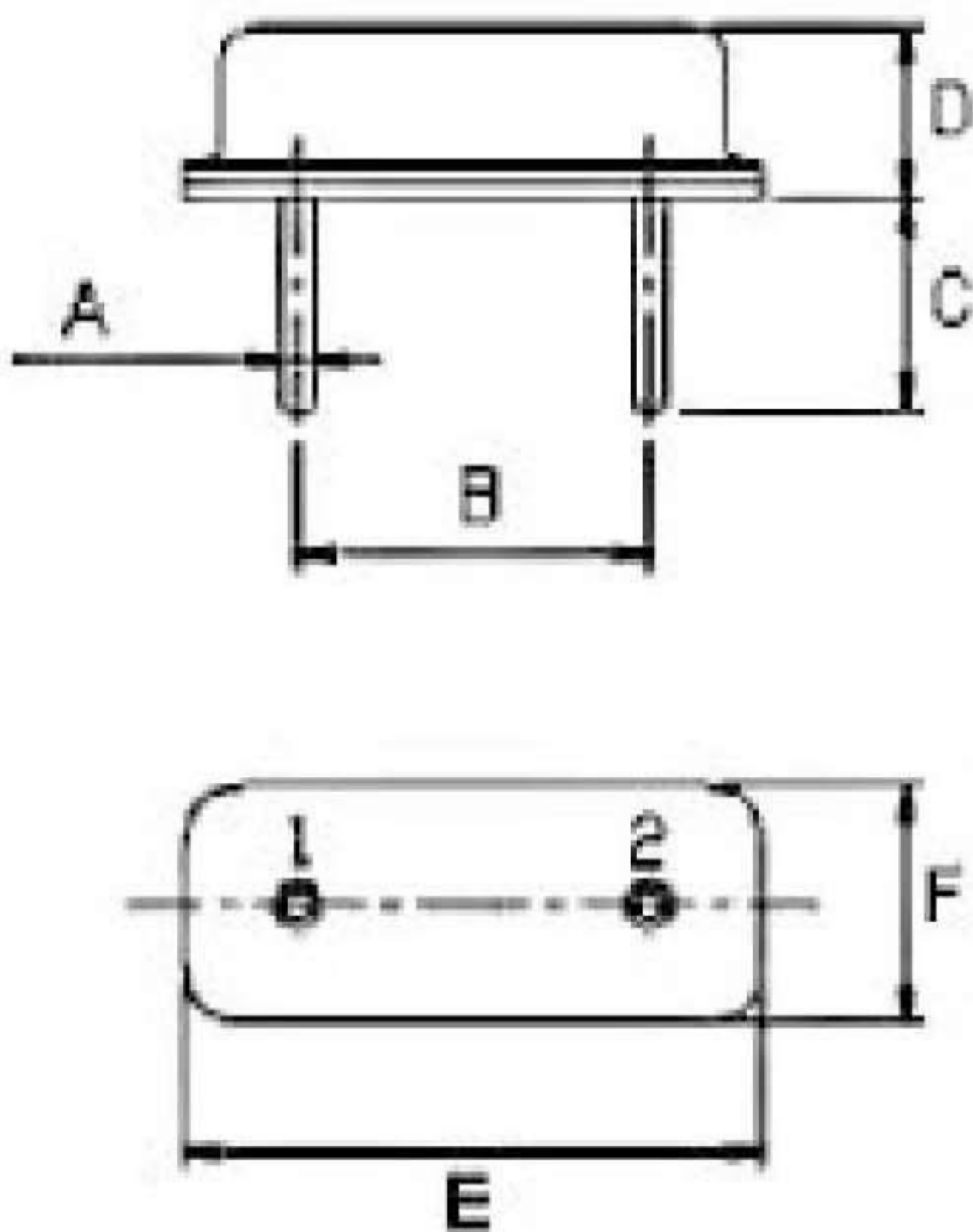


## APPLICATION

Wireless Remote Control & Alarm  
Consumer Electronics  
Communication

The TKK433A is a true one- port, surface- acoustic- wave( SAW) resonator in a low- profile HC-49S case. It provides reliable, fundamental- mode, quartz frequency stabilization of fixed- frequency transmitters operating at 433.920 MHz.

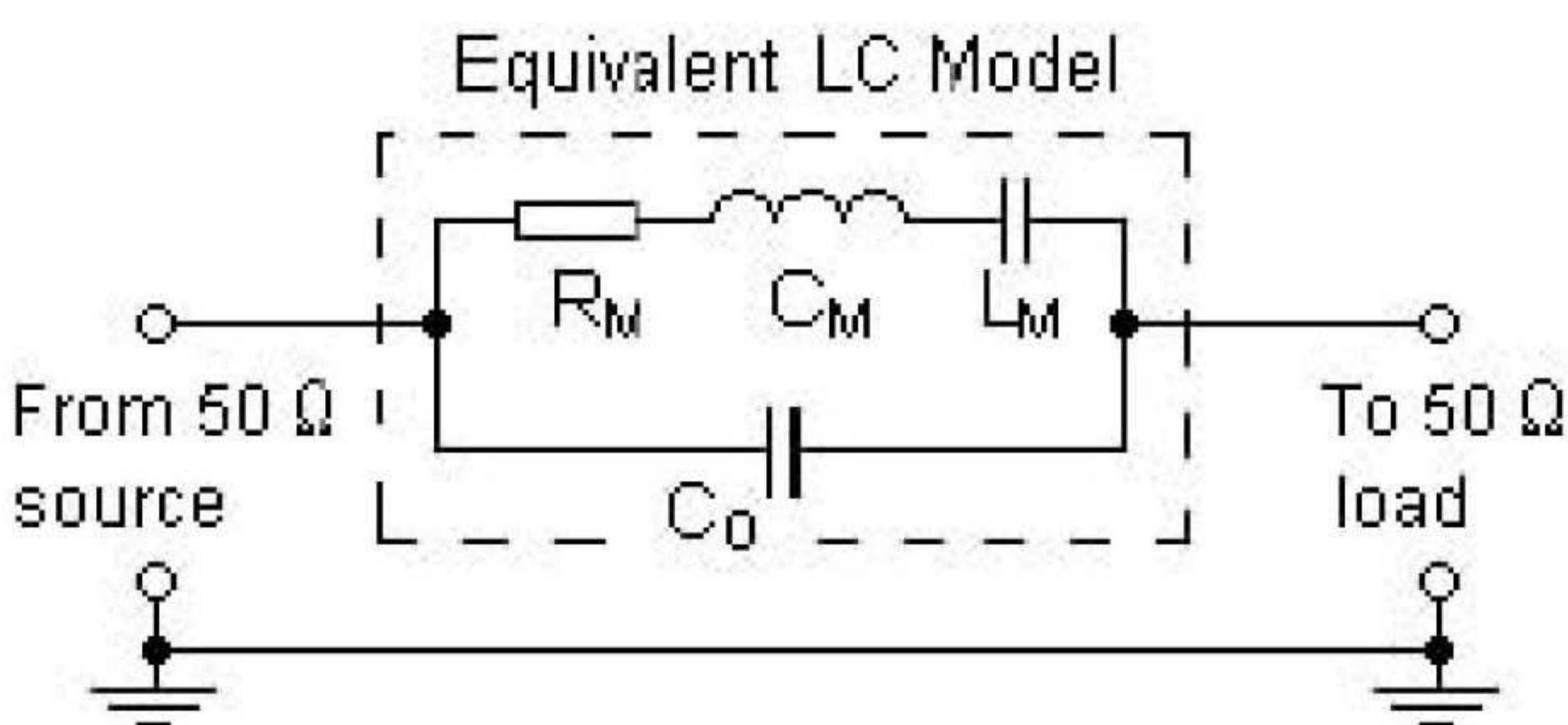
### 1. Package Dimension (HC-49S)



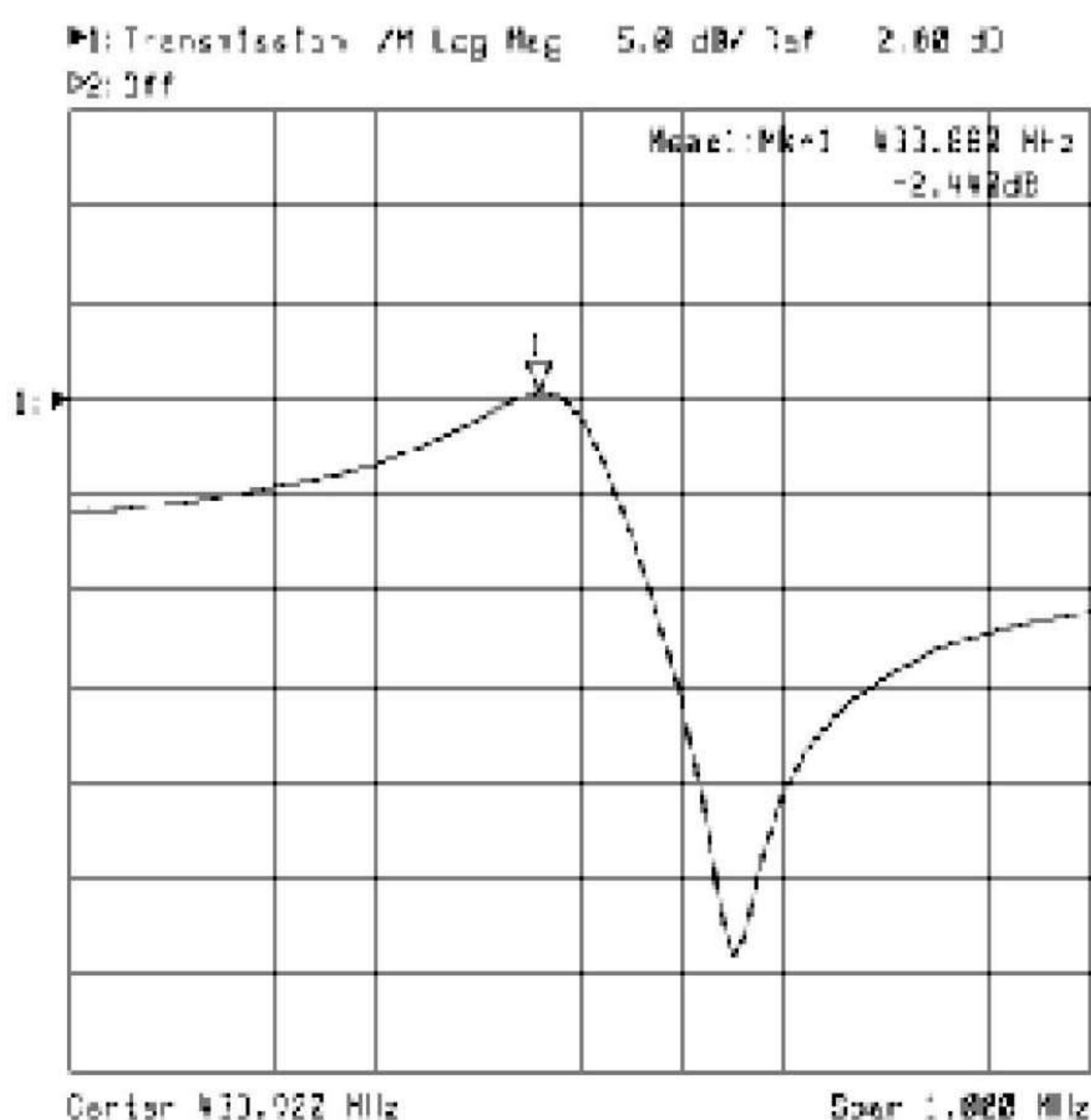
Pin	Connection
1	Input
2	Output

Dimension	Data (unit: mm)
A	0.45±0.05
B	4.88±0.20
C	13.0±0.20
D	2.6 max
E	11.90 max
F	4.60 max

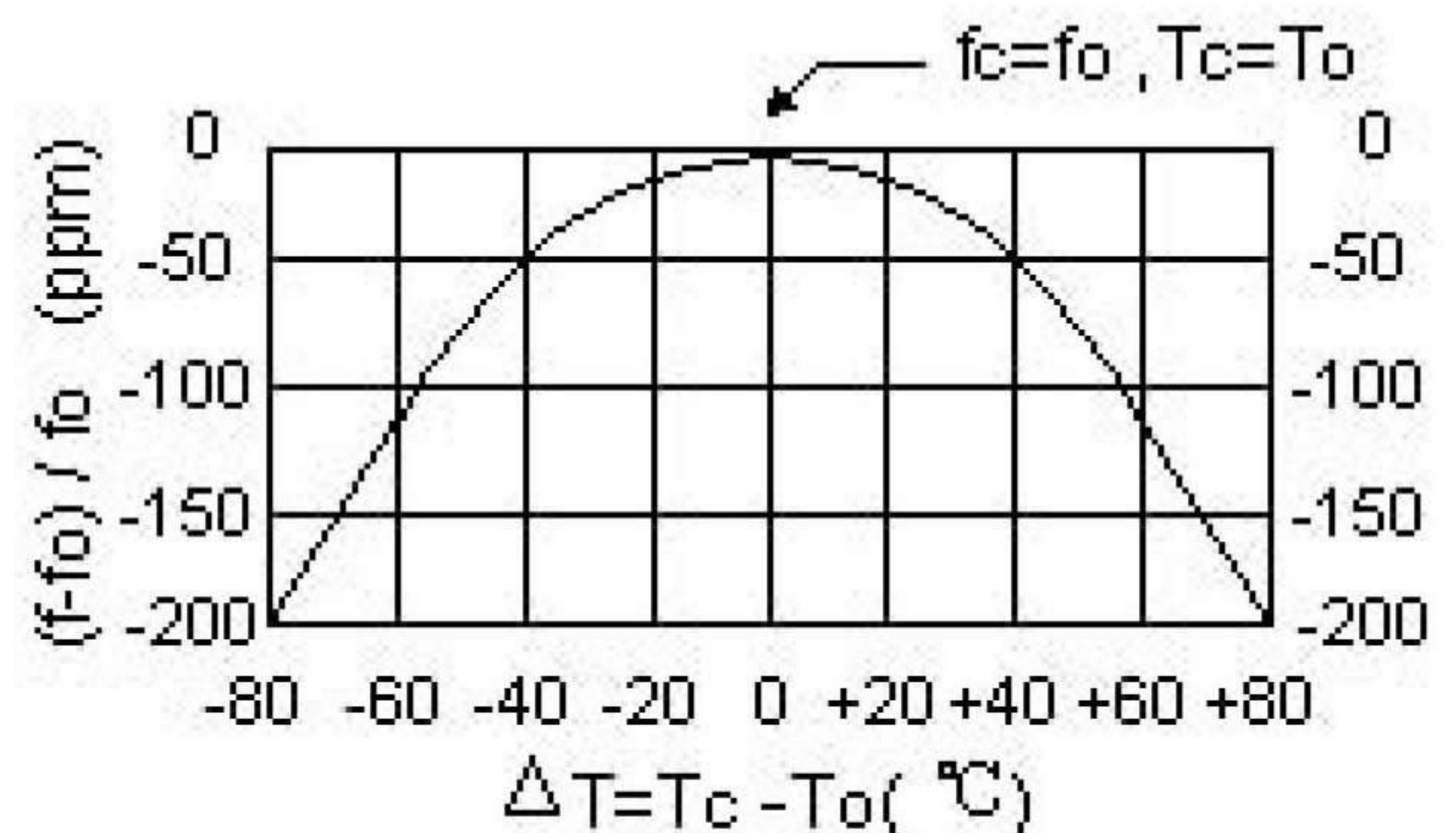
### 2. Equivalent LC Model and Test Circuit



### 3. Typical Frequency Response



### 4. Temperature Characteristics



The curve shown above accounts for resonator contribution only and does not include oscillator temperature characteristics.